

BL-5201MV

Master Valve biCoder™

Installation Guide

Installation Instructions

1. Power off the two-wire when installing devices. Leave 24 to 36 inches of slack on the two-wire to allow for easy installation and maintenance.
2. Place the biCoder in the valve box for convenience and protection. Valves can be located a maximum of 250ft from the biCoder location by using additional 14 gauge wires.
3. Connect the orange wire to the pilot wire from the master valve and the white wire to the common wire from the master valve.

Note: The common wires cannot be shared between different biCoders.

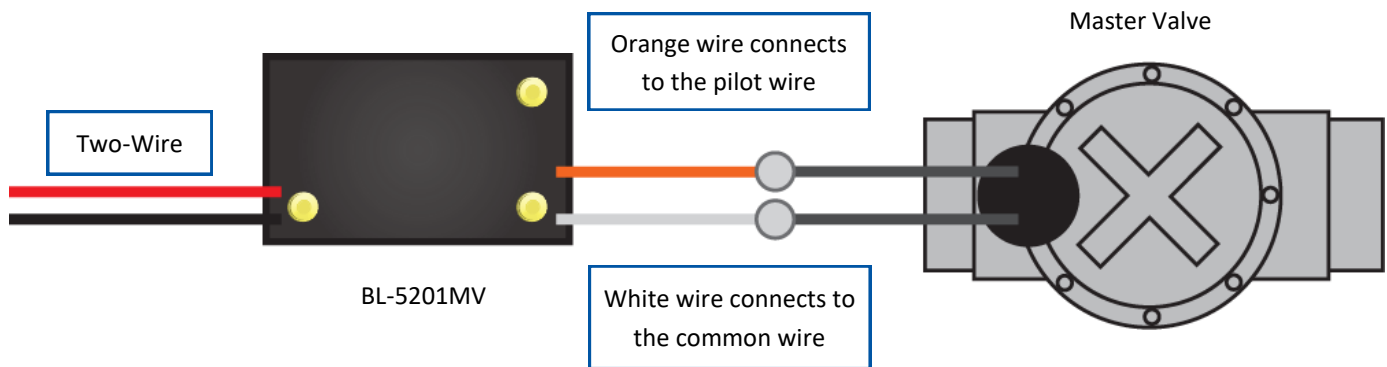
4. Connect the red and black wire from the biCoder to the corresponding red and black wires on the two-wire using 3M™ DBR/Y-6 or equivalent connectors. It is critical that polarity be maintained.
5. Using the controller, test the connections and assign the Master Valve biCoder address as instructed in the controller's user manual. For normally open master valves, configure the master valve as normally open in the controller as instructed in the controller's user manual.



1-866-294-5847

Rev 10.3.2016

www.baselinesystems.com



WARNING!

The biCoder wires must not have electrical contact with soil or water. All connections must use 3M™ DBR/Y-6 or equivalent moisture-resistant connectors. Install all connections correctly. **Damage to the system will occur if these specifications are not followed.**